

Totalizing Counter/Time Counter

DHC3J	SELF-POWERED COUNTER	DHC3L
--------------	-----------------------------	--------------

Subminiature Totalizing Counter Requires

No External Power Supply

- DIN-sized 48X24mm
- Improved noise immunity
- Screw terminal types



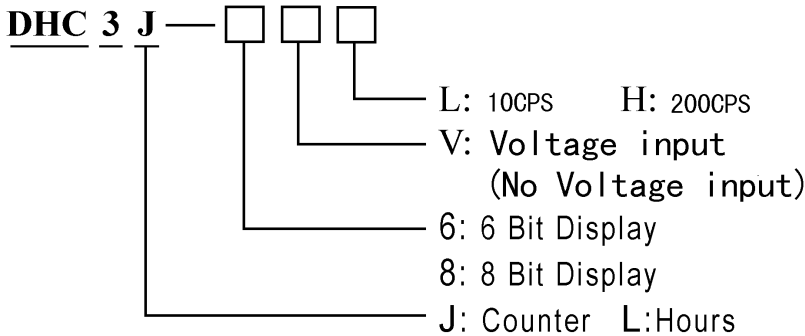
DHC3J/L-6



DHC3J/L-8



AVAILABLE TYPE



TYPE:

DHC3J:

DHC3J-6L DHC3J-6VH

DHC3J-8L DHC3J-8VH

DHC3L:

DHC3L-1 99999.9h

DHC3L-2 99h59m59s

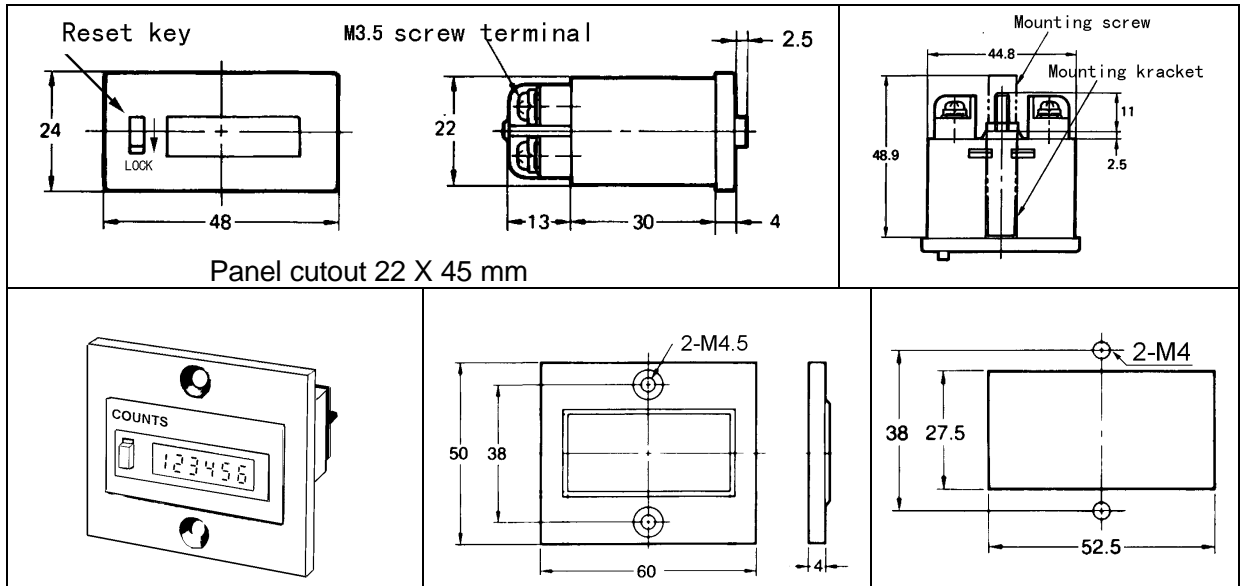
DHC3L-3 999999h59m

DHC3L-4 9999h59m59s

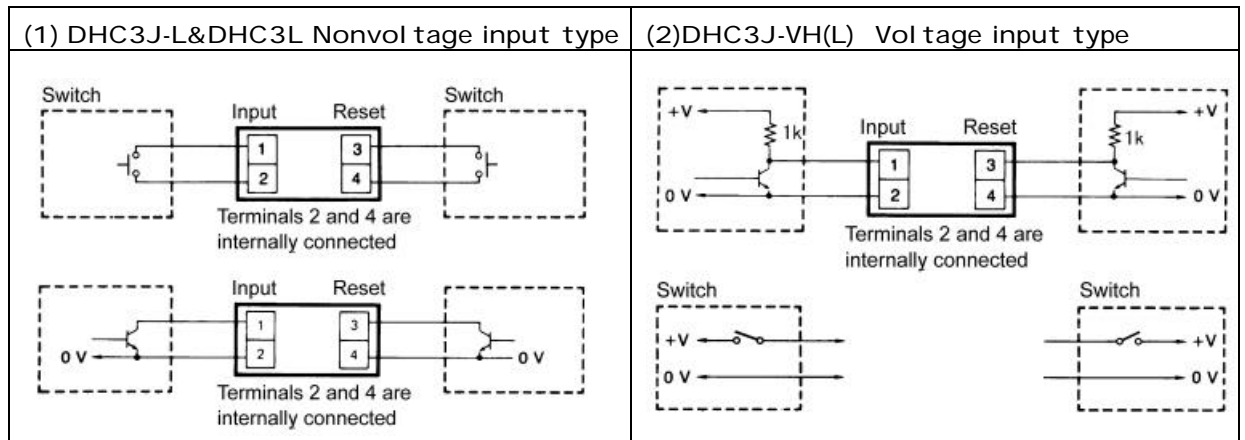
SPECIFICATIONS

Supply voltage:	Driven by built-in battery	Display :	6.7mm LCD(6bit),6.5 mm LCD(8bi
Input signal :	Relay or switch contact	Weight :	Approx60g
	Transistor input	Reset signal	0.2 S
Voltage Input signal :	L level:0 ~ 2V	Reset system :	External reset and
	H level:4 ~ 30V (DHC3J-6VH/DHC3J-8VH)		manual reset
Nonvoltage Input signal :	Short-circuit impedance:10K max	Operating	-10 ~ 40
	Open impedance:500k min	temperature :	
	Short-circuit residual voltage 0.5v max	Humidity :	35%~85% RH
Maximun counting speed :	10cps (signal width > 50mS)	Accuracy:	0.002%
(DHC3J)	200cps (signal width > 2.5mS)	(DHC3L)	

DIMENSIONS



CONNECTIONS



NOTE:

- Keep the input wiring as short as possible.
- This product contains a lithium battery. Do not dispose of the battery in a fire.