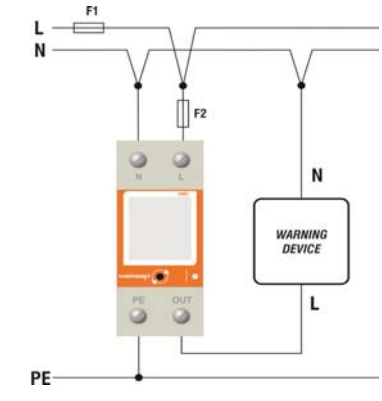


Dimensions



Wiring diagram

Catalog number		GMD-230V
Reference number		83060250
Supply voltage		
Nominal system voltage AC 50-60 Hz	Un [Vac]	230 ±20%
Power consumption	[VA]	3
Rated impulse voltage/Category	Uimp [kV]	4/III
Measuring circuit		
Internal AC resistance	Ri [Ω]	≥100
Internal impedance (at 50 Hz)	Zi [Ω]	≥100
Permissible extraneous DC voltage without influence	[V]	0
Maximum peak current	[A]	7
Response values		
Response value	Ran [Ω]	0...500
Response time	t [ms]	<10s (Ce=1 μF)
Relative uncertainty	[%]	10 ±2Ω (0...999Ω)
Hysteresis	[%]	5
Open Earth indication	[EOP]	User defined 50Ω (default)
Loop impedance resolution (N-PE)	[Ω]	0,1
Maximum power of OUT	IOUT [VA]	70
System leakage capacitance (N-PE)	Ce [μF]	≤ 4



Catalog number		GMD-230V
Reference number		83060250
Connection		
DIN rail mounting		EN 60715
Section of flexible wiring connection (MIN-MAX)	[mm ²]	6-25
Section of rigid wiring connection (MIN-MAX)	[mm ²]	6-35
Stripping length	[mm]	10
Opening force	[Nm]	4
Environment/EMC		
EMC Harmonics immunity		EN 61000-4-13 Class 2
EMC Electrostatic discharge immunity		EN 61000-4-2
EMC Emission		EN 55011
EMC Surge immunity		EN 61000-4-5
EMC Voltage variations immunity		EN 61000-4-11
EMC environment immunity		EN 61000-6-2 ; EN 61000-6-3
Operating temperature		-20°C ... +60°C
Others		
Enclosure and flammability class		PC V0
Software version		V0.7
Degree of protection		IP20