

AC Coil Data

Nominal Voltage	Operate Voltage	Release Voltage	Coil Resistance
VAC	VAC	VAC	$\Omega \pm 10\%$
6	4.8	1.8	12
12	9.6	3.6	42
24	19.2	7.2	168
48	38.4	14.4	675
110/120	88	36	3500
220/240	176	66	14000/16500

Contact Specification

Contact Form	1Z 1H 1D 2Z 2H 2D
Contact Resistance	$\leq 100 \text{ m}\Omega$ (1A 6VDC)
Contact Material	AgCdO AgSnO ₂
Contact Capacity	15A 250VAC/30VDC 10A 250VAC/30VDC

Technical Specification

Insulation Resistance	$\geq 500 \text{ M}\Omega$ (500VDC)
Dielectric Strength	Between Coil And Contact $\geq 1500\text{VAC}$ 1 min
	Between Open Contacts $\geq 1000\text{VAC}$ 1 min
	Between Contacts of Different Poles $\geq 1500\text{VAC}$ 1min
Operate / Release Time	$\leq 25\text{ms}/25\text{ms}$
Terminal Type	PCB and Socket Mounting

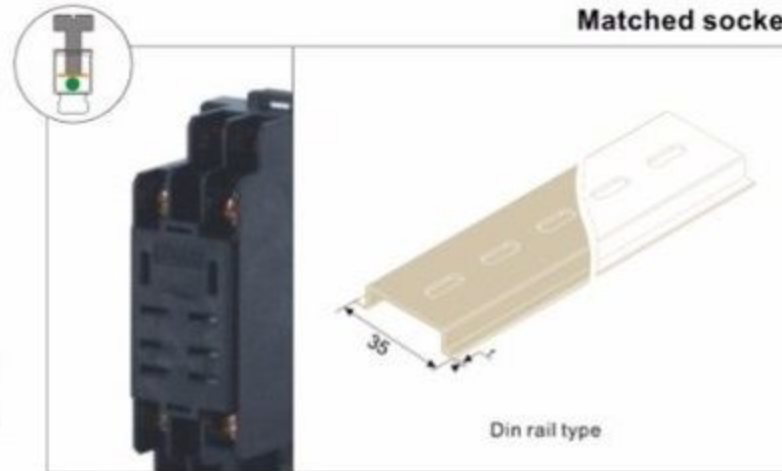
Coil Specification

Rated Coil Power	0.9W/1.2VA
------------------	------------

DC Coil Data

Nominal Voltage	Operate Voltage	Release Voltage	Coil Resistance
VDC	VDC	VDC	$\Omega \pm 10\%$
5	4	0.5	28
6	4.8	0.6	40
12	9.6	1.2	160
24	19.2	2.4	640
48	38.4	4.8	2560
110	88	11	12100

Matched socket



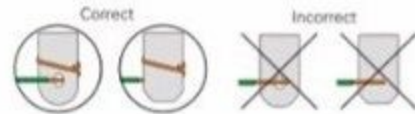
PTF-08A-E



Patent number: 200930215160.8

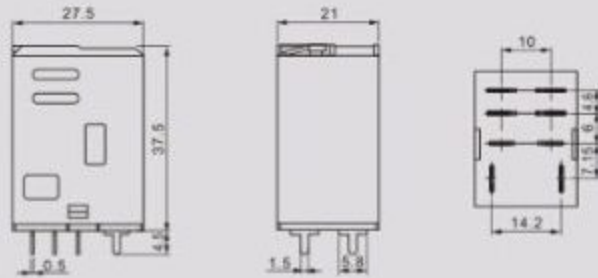


35.01 35.02

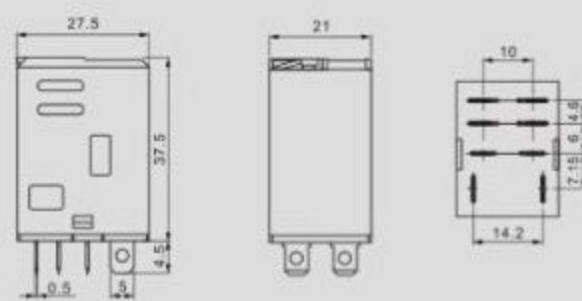


Outline dimension, Mounting holes (Bottom view), Wiring diagram (Bottom view)

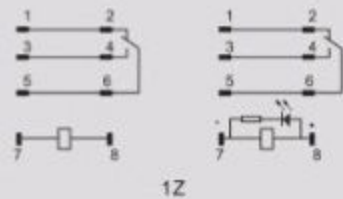
35.01(35.02) PCB type Outline dimension



35.01(35.02) Socket type Outline dimension

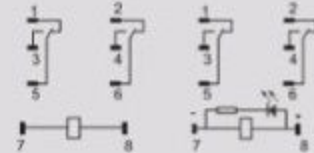


35.01 Wiring diagram(Bottom view)



12

35.02 Wiring diagram(Bottom view)



22